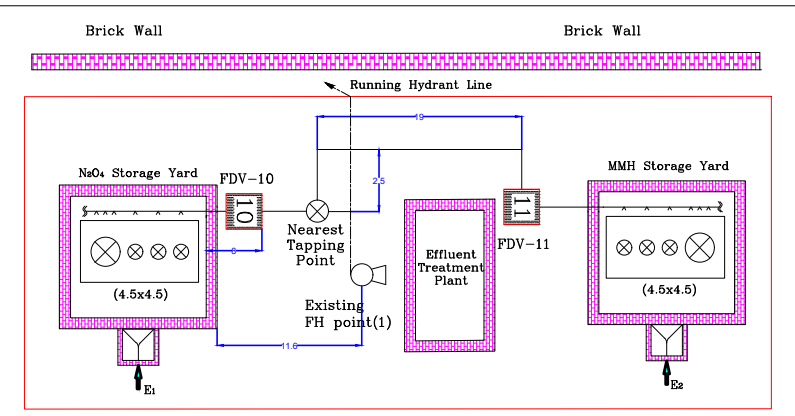
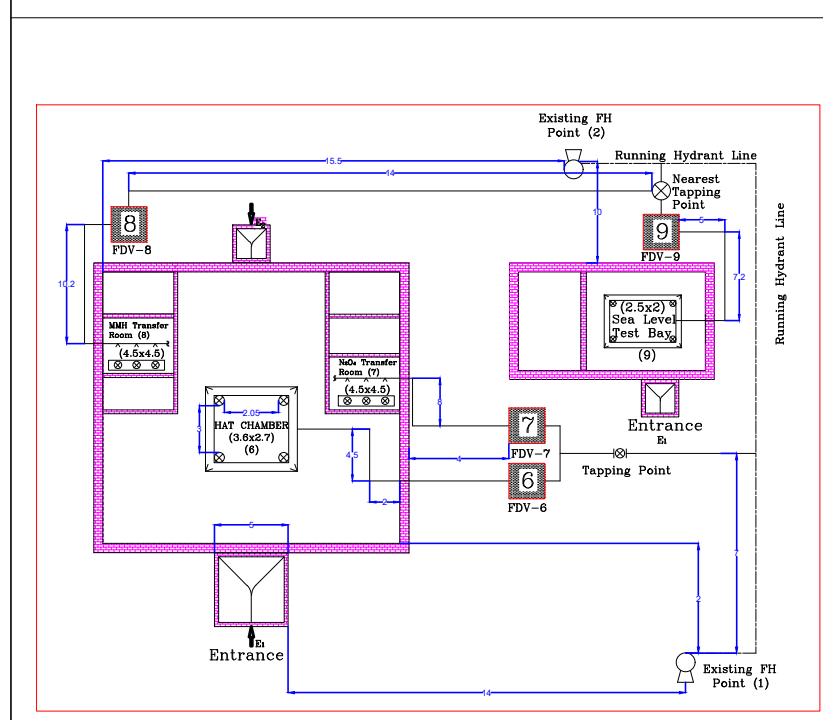


Integrated Assembly & Testing Assembly (IATF) Zone-1



Propellant Storage Yard (Zone-3)

LTET-V (HAT & SeaLevel Facility) Zone 2

LIQUID PROPULSION SYSTEMS CENTRE VALIAMALA		
TITLE: LOCATION & LAYOUT OF AUTOMATIC DELUGE SPRINKLER WATER SYSTEM FOR IATF & LTET-V FACILITY		
Drawing No:LPSC/IATF/AUTOMATICDELUGE WATER SYSTEM P & I		
Paper size: A3	Scale: NTS	Date: 26/11/2018
Design & Drawn by:	Meenakshi Bora, Engr. SC	
Checked by:	Benny Peter Engr in Charge,SC&CL	Sheet: 1 of 2
Reviewed & Approved by:	M Vinodha Kumar, GH TPTG/ESEG	